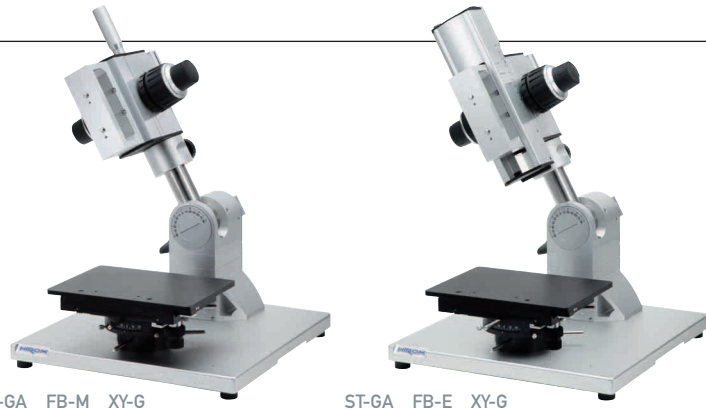


■ Free Angle



<Specifications>

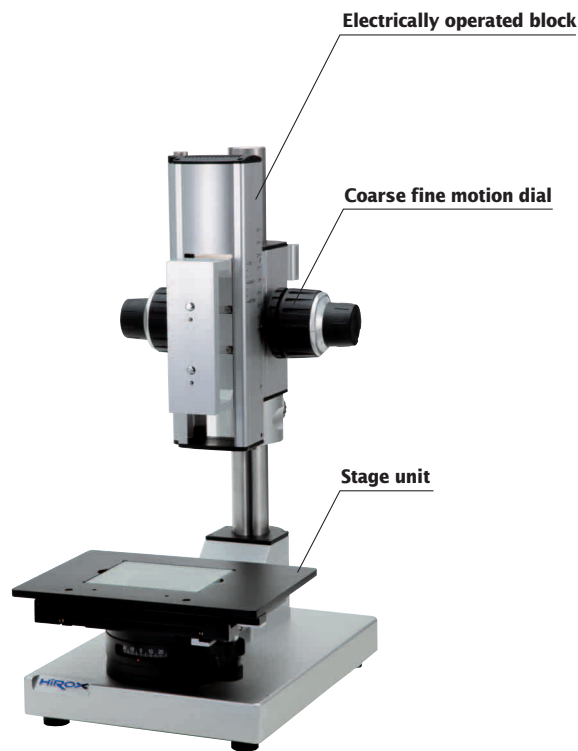
**High Precision Free Angle Stand**  
ST-GA FB-M  
Base board pole part high precision block  
XY-G  
XY stage block

■ Travel distance: Z axis 85mm/Size: 320X320X20-487-φ32  
Weight: 12.7kg

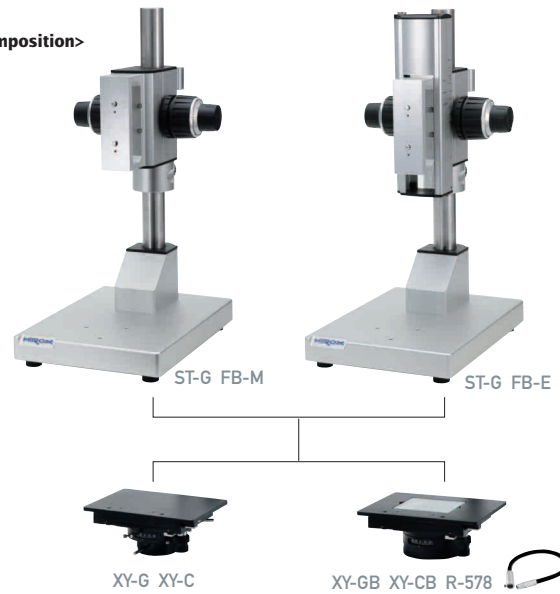
**High Precision Motorized Z-Axis Free Angle Stand**  
ST-GA FB-E  
Base board pole part Electrically operated block  
XY-G  
XY stage block

■ Travel distance: Z axis Electrically operated part 30mm  
manually operated part 85mm  
Size: 320X320X20-487-φ32/Weight: 14.7kg

■ Standard



<Composition>



<Specifications>

**High precision stand**  
ST-G FB-M  
Base board pole part high precision block

**XY Stage Unit**  
XY-G XY-C  
XY Stage Stage Block

**High precision Motorized Z-Axis stand**  
ST-G FB-E  
Base board pole part electrically operated block

**Transmit Lighting XY Stage Unit**  
XY-GB XY-CB R-578  
Transmission Transmission Transmission  
XY stage stage block unit fiber

■ Super-high-precision stand/ST-G FB-M  
Travel distance: Z axis 85 mm/  
Size: 200x270x46-446-φ32/Weight: 10.0 kg

■ Electrically operated stand/ST-G FB-E  
Travel distance: Z Axis Electrically operated part 30mm/  
manually operated part 85 mm  
Size: 200x270x46-446-φ32/Weight: 11.0 kg

■ XY Stage unit/XY-G XY-C  
travel distance: X axis±38mm-Yaxis±28mm-23mm  
Size: 201X140X74/Weight: 2.0kg

■ Transmission XY Stage unit/XY-GB XY-CB R-578  
Travel distance: X axis ±38mm-Y axis-28mm -23mm  
Size: 201X140X74/ Weight: 2.1 kg

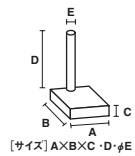
■ XY Stage/XY-G  
Travel distance: X axis±38mm-Y axis±28mm-23mm  
Size: 201X140X34(Excluding dial part)/Weight: 1.2 kg

■ Transmission XY Stage/XY-GB  
Travel distance: X axis±38mm-Y axis±28mm-23mm  
Size: 201X140X34(Excluding dial part)/Weight: 1.2 kg

■ Stage block/XY-C  
Size: 48-φ100(Excluding protruded part)/ Weight: 750g

■ Transmission stage block/XY-CB  
Size: 48-φ100 (Excluding protruded part)/ Weight: 785g

■ Transmission unit fiber/R-578  
Length: 500 mm/Weight: 150 g



**Hirox Co.,Ltd.** <http://www.hirox.com>  
2-15-17 Koenji Minami, Suginami-ku, Tokyo 166-0003, Japan  
Tel: (+81) 3-3311-9911 Fax: (+81) 3-3311-7722 E-mail: tokyo2@hirox.com

**Hirox USA Inc.** <http://www.hirox-usa.com>  
1060 Main Street, River Edge, NJ 07661  
Tel: (201) 342-2600 Fax: (201) 342-7322  
Toll-Free: (866) HIROX-US E-mail: info@hirox-usa.com

**Hirox China Co., Ltd.** <http://www.hirox.com.cn>  
Room 809, 8th Floor, Fortune International Plaza,  
No. 43 Guo-Quan Road, Shanghai 200433, China.  
Tel: +86-21-6564-7772 Fax: +86-21-3362-5017 E-mail: info@hirox.com.cn

**Hirox Korea Co., Ltd.** <http://www.hiroxkorea.com>  
#719 Metrokhan Bldg, 1115 Bisan-dong, Dongan-ku, Anyang-city,  
Gyeonggi-do, 431-058, Korea  
Tel: +82-31-385-1130 Fax: +82-31-385-9730 E-mail: bgkim@hiroxkorea.com

**Hirox Asia Ltd.** <http://www.hirox-asia.com>  
Suite 1213, 12/F, Ocean Centre, 5 Canton Road, Tsimshatsui, Kowloon, Hong Kong  
Tel: +852 8198-9679 Fax: +852 3015-7657 E-mail: info@hirox-asia.com

**Hirox Europe** <http://www.hirox-europe.com>  
Jyfel, 9 rue des Gantries, 69130 Ecully, France  
Tel: +33 426 250 340 - Fax: +33 426 236 813 - Email: info@hirox-europe.com

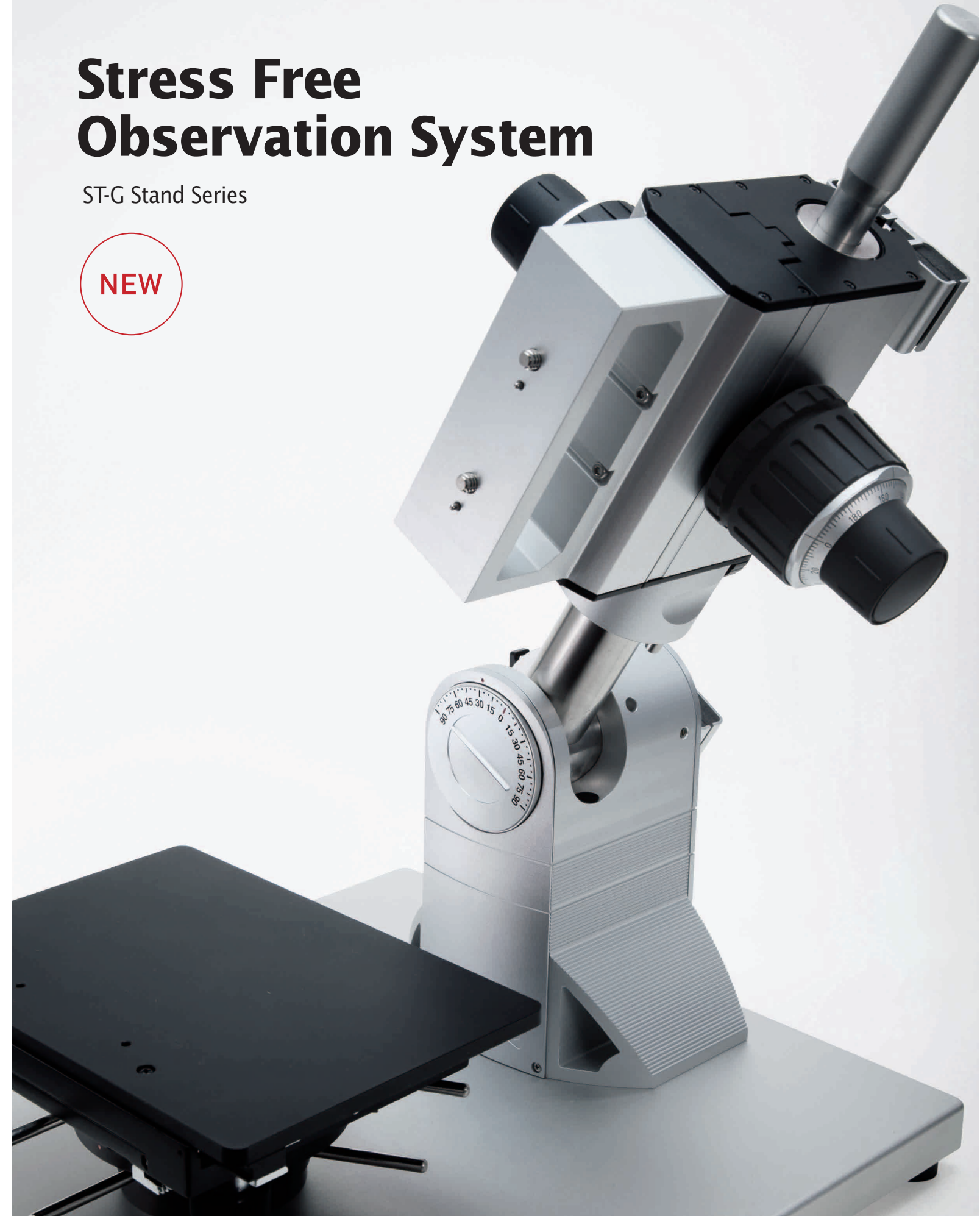
Contact

The products in this catalog may be changed at any time, without notice.

PHPO-0903-C000

# Stress Free Observation System

ST-G Stand Series




# Hirox's New Free Angle Stand

Now the operator is free to choose 180 degrees of inclination and 360 degrees of stage rotation for target observation up to 3500x. Combined with the option of the Electronic Focus Block for 3D observation and height measurements, the ST-GA is undoubtedly Hirox's most versatile stand dete.

## Fully functional and Easy to Use

**1** [Coarse micromotion dial] **Dynamic Focus**  
85mm (3.35Åh) travel range focus block with 2µm precision.

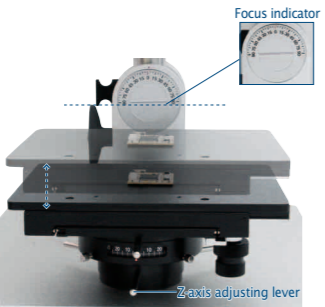


**2** [Electrically operated unit] **Motorized Z-Axis**  
Accurate height measurement within the micron level.


**Motor controller CT-7 (Separately sold)**  
Controls motorized Z-axis stepping motor.




**6** [Angle stage] **Stage Z-Movement**  
Easy Z-axis movement allows stress free inclination.




**3** [Cable Holder] **Cable Holder**  
Tightly secures cables to eliminate fine vibrations.



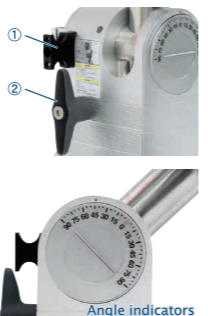
**4** [Stage] **XY Stage**  
Large working area supports multiple applications.



**5** [Base] **Structured Stability**  
Weight distribution designed to eliminate vibration and specialized material reduces a wide range of vibrations.



**7** [Control Part] **Angle Adjustment**  
Even when a large change in height is required, due to the large travel range of the focus block, it may not be necessary to adjust the height with the lock lever.  
① Release Lever ② Lock Lever



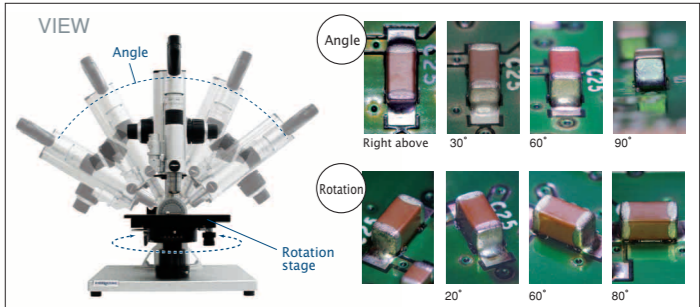
**8** [Stage] **Flexible Operation**  
Reach unattainable angles with 360° rotation



**VIEW**

Angle: Right above, 30°, 60°, 90°

Rotation: 20°, 60°, 80°



**Cable folder**

**Lock Lever**  
Even when a big height change is required, the moving of the focus block can be done only with a touch thanks to a newly adopted handle-based operations.

