

STANSTED - HIGH PRESSURE HOMOGENISATION & CELL RUPTURE SYSTEMS



STANSTED FLUID POWER LTD, established in 1970, offer a full range of advanced, high performance, instruments for research, pilot and production homogenisation and cell rupture applications.

Extending the well established Stansted 'classic' range of high pressure homogenisers the recently introduced patented *HYD-LOK* range offers new levels of performance, system sterilisation and reliability providing clients with operating advantages enhancing product development and production optimisation possibilities.

Technical solutions have a number of user customisable options allowing our customers to tailor systems to their specific requirements while benefiting from industry leading performance capabilities and a large array of standard features.

Experienced local support in India by Hydraulicon Systems.

- **PRESSURES to 4,000 bar
58,000 psi**
- **QUICK & EASY TO CLEAN
WITH FULL INTERNAL INSPECTION**
- **CIP & SIP**
- **SIMPLE TO MAINTAIN**
- **REPRODUCIBLE RESULTS**



- **STERILISATION**
- **PASTEURISATION**
- **NANO PARTICLES**
- **LIPSOMES**
- **MICRO EMULSIONS**
- **DISPERSIONS**
- **ENCAPSULATION**
- **CELL RUPTURE**
(E.coli. Yeast Staph.a. ... etc.)

HYD-LOK ADVANCED HOMOGENISER SYSTEMS

Responding to requirements of our customers SFP, have designed and implemented our patented Hyd-Lok system to provide a superlative technical solution to the requirements of laboratory, pilot and production high pressure homogenisation applications

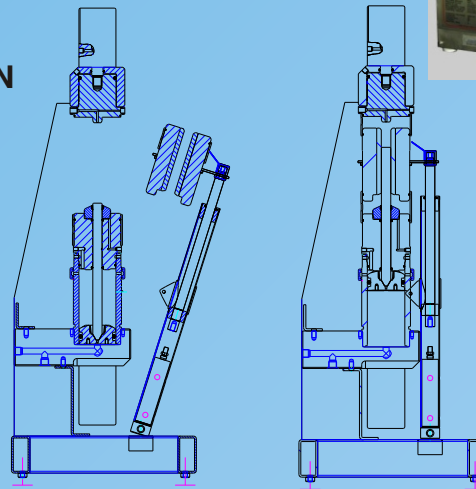
The Hyd-Lok system is a constructional technique developed and patented by SFP where the main pressure generation assembly is retained by a hydraulic clamping assembly within a support frame. This unique construction has been further developed to provide a set of operational features combined with unsurpassed operational performance to suit the demanding and exacting requirements of today's high pressure homogenisation applications where robust, reliable and hygienic operation is key to successful applications.



- Pressures to 400 MPa
58,000 psi
- EXCEPTIONAL PERFORMANCE
- OPERATING TEMPERATURES +80°C
- STEAM STERILISATION
- PATENTED CONSTRUCTION
- EASY TO CLEAN, INSPECT & SERVICE
- REPRODUCIBLE PERFORMANCE
- LABORATORY, PILOT & PRODUCTION



MODEL	MWP bar	MWP psi	FLOW lt/hr NOMINAL	POWER kW
NG12500S-4-17	1700	24650	5.0	1.5
nG12500T-4-40	4000	58000	8	1.5
nG12500T-4-17	1700	24650	16	1.5
nG11300T-22-40	4000	58000	90	18
nG11300T-22-17	1700	24650	200	18



SFP 'Classic' HOMOGENISERS

The original SFP system, these popular systems developed with the UK NIMR National Institute for Medical Research offer an extensive range of versatile solutions for a large range of research and development applications. The range includes air operated and electrically driven models including ATEX compliant systems. The modular design of the systems allows a number of easily interchangeable disruption/homogenisation valves and pressure measurement instruments to be used with a single primary pump. Classic Ao and TC models may be used for small volume work less than 5ml whiel nG7400 models can provide more fetature rich systems with pressure up to 350 MPa and flow rates to 50 l/hr.



MODEL	MWP bar	MWP psi	FLOW lt/hr NOMINAL	POWER kW
A0-0620W-332	1400	20000	2.4	N/A
TC5-0512W-332	2750	40000	8	0.75
TC5-0812W-332	1000	15000	16	0.75
NG7400.270P	2750	40000	24	N/A
NG7400.100E	1000	14500	24	0.75
NG7400.140H	1400	20000	48	4
NG7400.350T	350	50000	14	4

- PRESSURES TO 350 MPa
50,000 psi
400 bar
- VOLUMES 1ml to 500l
- PNEUMATIC AND ELECTRICAL OPERATION



CONTACT GLOBAL - MARK FREEMAN
STANSTED FLUID POWER LTD.
ESSEX
UK
TEL + 44 1279 813 459
FAX + 44 1279 815 180
EMAIL sales@sfp.uk.co
WEB SITE <http://www.sfp.uk.com>



Stansted Fluid Power Limited reserves the right to improve or otherwise alter any information supplied in this document or any other documentation supplied hereafter in the interest of product improvement.